

CD-30/60/100/120-DB

CI-30/60/100/120-IB

Conventional Roller Beds with Rail Bogie

- Robust design with durable rollers
- Gritblasted steelwork with polyurethane finished coating to endure the abrasive environment of offshore and marine industries
- Over sized bearings
- Special formulated high-load polyurethane tire design for high wear resistance.
- Cast steel gearbox with double worm gear arrangement for smooth operation and minimum backlash
- Solid state inverter for precise speed control
- Motorised and Idler Rail Bogie variants



Applications

- **Wind Tower Fabrication**
- **Offshore and Shipyards**
- **Pressure Vessels**
- **Pipe Lines**



Technical data

Model		CD-30-DB CI-30-IB	CD-60-DB CI-60-IB	CD-100-DB CI-100-IB	CD-120-DB CI-120-IB
Max loading capacity tons /section	Drive unit	15	30	50	60
	Idler unit	15	30	50	60
Turning capacity, tons	Drive unit	45	100	150	250
Turning speed	Mm/min	130-1300	130-1300	130-1300	130-1300
Travel speed rail bogie	mm/min	292-2920	292-2920	292-2920	292-2920
Inner Rail Gauge (G-G)	mm	1650	1650	1650	1650
Vessel Diameter	Min (90°)	469-8366	469-8366	469-8366	469-8366
	Max (30°)				
Power Supply	50Hz/3ph	380/400/415V 440/460/480V	380/400/415V 440/460/480V	380/400/415V 440/460/480V	380/400/415V 440/460/480V
	60Hz/3 ph				
Fuses	Amp	16	16	32	50
Control Voltage	VAC	24	24	24	24
Weight roller bed with rail bogie KG	Drive unit	1739	2550	3275	3938
	Idler unit				
Dimensions roller bed with rail bogie LxHxW	Drive unit	2790/955/1382	2790/955/1592	3400/970/1782	3400/1040/1992
	Idler unit				
Cable control box	m	10	10	10	10



Ordering Information

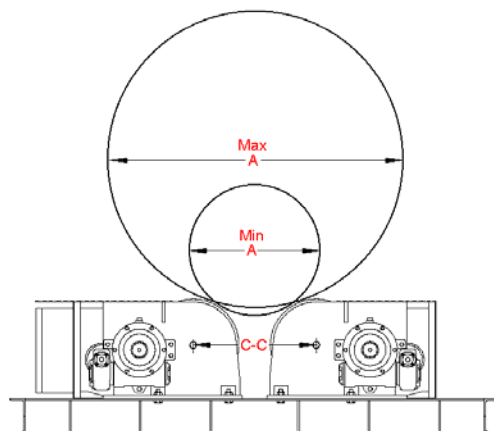
CD-30-DB with Motorized Rail Bogie, 50Hz 0370 250 014
 CD-60-DB with Motorized Rail Bogie, 50Hz 0370 250 016
 CD-100-DB with Motorized Rail Bogie, 50Hz 0370 250 018
 CD-120-DB with Motorized Rail Bogie, 50Hz 0370 250 020

CD-30-DB with Motorized Rail Bogie, 60Hz 0370 250 022
 CD-60-DB with Motorized Rail Bogie, 60Hz 0370 250 024
 CD-100-DB with Motorized Rail Bogie, 60Hz 0370 250 026
 CD-120-DB with Motorized Rail Bogie, 60Hz 0370 250 028

CI-30-IB with Idler Rail Bogie 0370 250 015
 CI-60-IB with Idler Rail Bogie 0370 250 017
 CI-100-IB with Idler Rail Bogie 0370 250 019
 CI-120-IB with Idler Rail Bogie 0370 250 021

Options

Foot switch 0370 250 301
 Synchronise kit 0370 250 302



www.esab.com

